

DS-K1T673DX Face Recognition Terminal



Face recognition terminal is a kind of access control device. It can be widely applied in multiple scenarios, such as enterprises, stations, dwellings, factories, schools, campus and so on.

- 7-inch LCD touch screen, 2 Mega pixel wide-angle lens
- Recognition distance: 0.3 to 3 m
- Face recognition duration < 0.2 s/User
- Face recognition accuracy rate ≥ 99%
- Built-in M1 card, Felica card, and DESfire card reading module (Presents card on the screen to authenticate)
- Face mask detection
- 10,000 face capacity, 10,000 fingerprint capacity (With fingerprint module), 50,000 card capacity, and 150,000 event capacity
- Supports ISAPI, ISUP 5.0, TCP/IP (IPv4 and IPv6)
- Supports single person and multiple people (Up to 5 people) recognition

▪ Specification

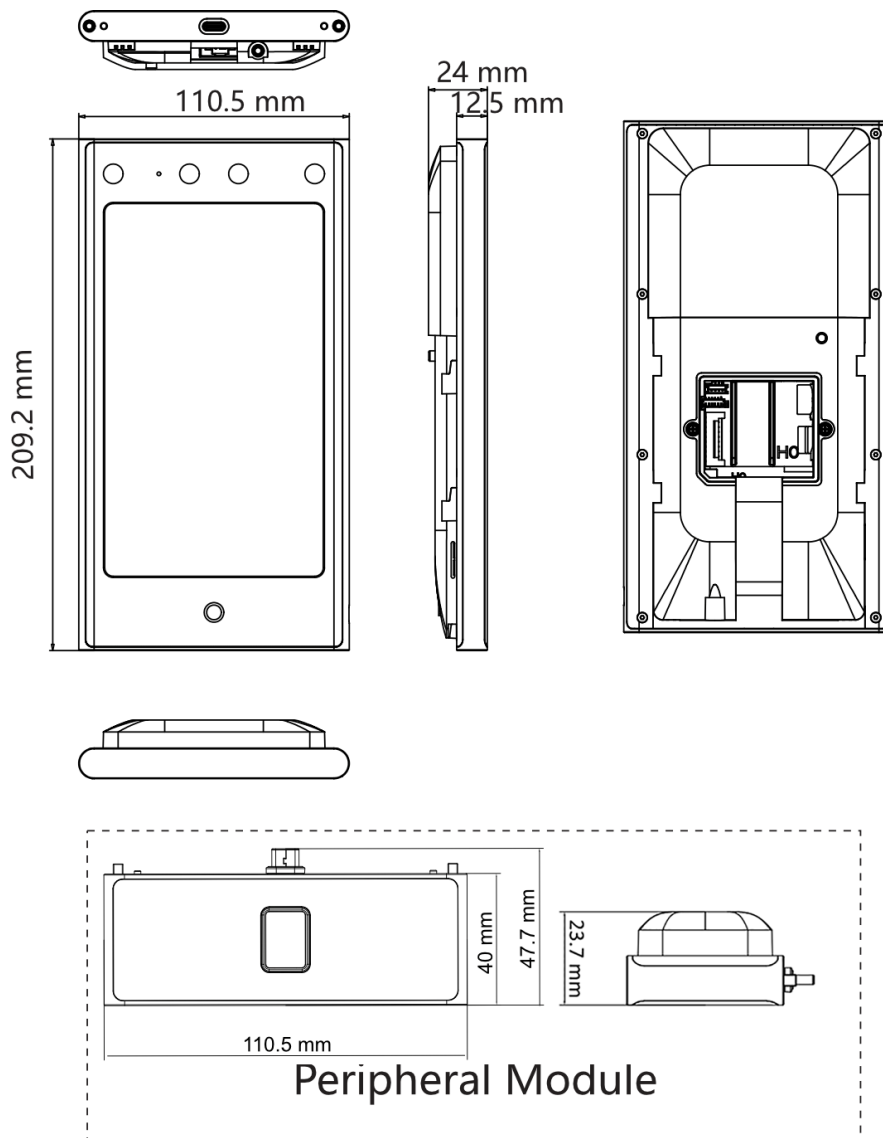
System	
Operating system	Linux
ROM	4 GB
RAM	1 GB
Display	
Screen size	7 inch
Operation method	Capacitive touch screen
Type	IPS
Resolution	600 × 1024
Video	
Lens	2
Resolution	2 MP
FOV	HFOV= 75.5°; VFOV= 41.5°; DFOV= 87°
Wide Dynamic Range (WDR)	Support
Video standard	PAL (Default)/NTSC
Focal length	4 mm
Aperture	F 1.1
Audio	
Audio compression standard	G.711U
Audio compression bitrate	64 Kbps
Audio quality	Built-in omnidirectional microphone
Volume adjustment	Support
Power output	1.5 W
Network	
Network protocol	IPV4: SADP, SIP, RTSP, ISAPI, ISUP 5.0 IPV6: RTSP, ISAPI
Wired network	Support
Interface	
Network interface	1 RJ-45, 10/100/1000 M self-adaptive
Lock control	1
Exit button	1
Door contact input	1
Alarm input	2
Alarm output	1
TAMPER	1
RS-485	1 RS-485 (Half duplex, HIKVISION)
Wiegand	1 Wiegand(Hik 26bit,Hik 34bit)
USB	1 (For Module)
Audio output interface	1 (3.5 mm)
Capacity	
Face capacity	10,000
Card capacity	50,000
Event capacity	150,000
Authentication	
Face recognition distance	0.3 to 3 m

Face recognition accuracy rate	≥ 99%
Face recognition duration	< 0.2 s per person
Card type	M1 card,DESfire card,Felica card
Card reading distance	0 to 3 cm
Card reading duration	< 1 s
General	
Power supply	12 VDC to 24 VDC, 2 A
Working temperature	-30 °C to 60 °C (-22 °F to 140 °F)
Working humidity	0 to 90% (no condensing)
Protective level	IP 65
Dimensions	110.5 mm × 209.2 mm × 24 mm (4.35" × 8.24" × 0.94")
Weight	Gross Weight: 1.06 kg (2.34 lb)
	Net Weight: 0.57 kg (1.26 lb)
Language	English, Spanish (South America), Arabic, Thai, Indonesian, Russian, Vietnamese, Portuguese (Brazil), Japanese, Korean, Traditional Chinese, French and Turkish
Face Recognition Terminal	
Fingerprint capacity	10,000 (With fingerprint module)
Function	
Advertisement	Support
Live view	Support
Two-way audio	Support
Multi-factor authentication	Support
M1 card encryption	
Face anti-spoofing	Support
Anti-passback	Support
First person in	Support
Audio prompt	
Time synchronization	

▪ Available Model

DS-K1T673DX

▪ Dimension



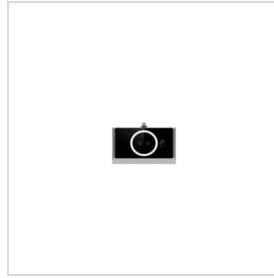
▪ Accessory

▪ Included

DS-KAB673-P

Peripheral

Module



▪ **Optional**

DS-KAB6-D1 Base Bracket	DS-KAB6-ZU1 Brackets for face terminals	DS-KAB673-FB Peripheral Module	DS-KAB673-FBQR Peripheral Module	DS-KAB673-BQR Peripheral Module
				
DS-KAB673-B Peripheral Module	DS-KAB6-W1 Bracket	DS-KAB673-EDB Peripheral Module		
				

See Far, Go Further



www.hikvision.com
support@hikvision.com

